

Model AG6503C-IND Secondary Surge Arrester

APPLICATION:

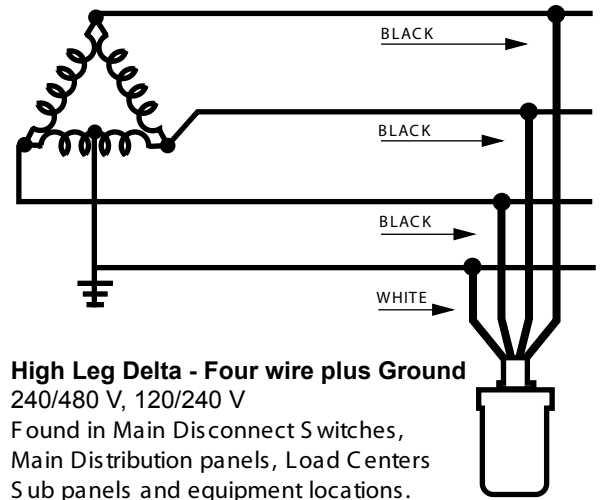
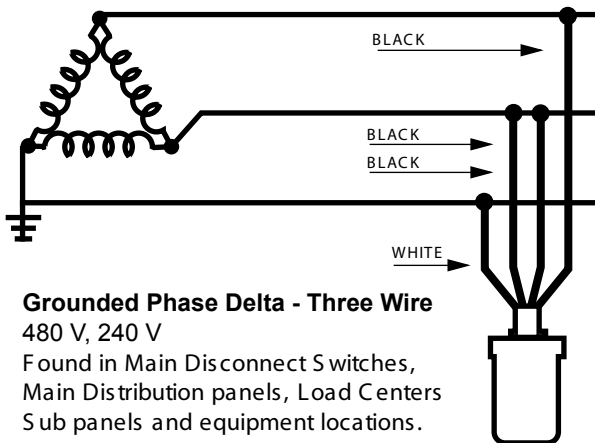
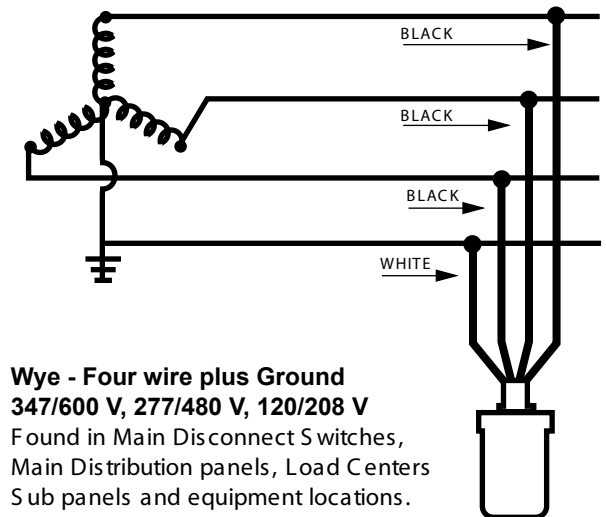
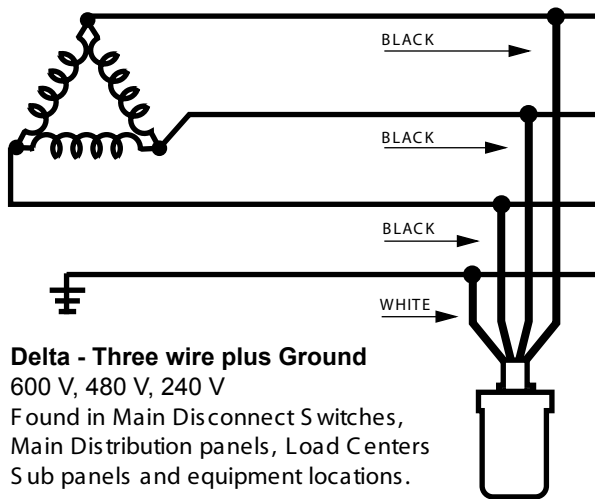
- This model is designed for three phase applications with line voltages up to 650 VAC. If your application does not match one of the diagrams shown below, consult the information on the back of this sheet or call your supplier.
- AG Series devices are not intended to protect against direct lightning strikes.

WARNING:

- HAZARDOUS VOLTAGES MAY BE PRESENT. Improper installation of this device could result in ELECTRIC SHOCK, BURN or EXPLOSION. Intermatic Incorporated recommends that the AG series Secondary Surge Arresters be installed by a licensed electrician. Hazardous voltages may be present. AG series units are not intended to protect against direct lightning strikes.

OPERATION:

- The LED indicator lights should be 'ON' indicating proper operation. If one or more lights are 'OFF', check for loss of one or more phases of AC power. If AC power is present, the unit is no longer providing surge protection and should be replaced.



INTERMATIC INCORPORATED

<http://www.intermatic.com>
INTERMATIC PLAZA, SPRING GROVE, ILLINOIS 60081-9698
© Copyright 2002 Intermatic Inc.