

Model AG2401 and AG2401C Secondary Surge Arresters

WARNING:

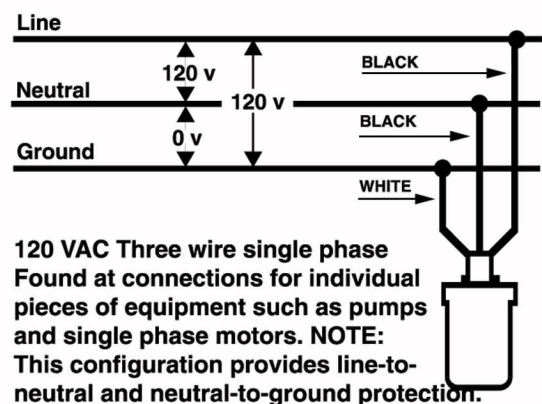
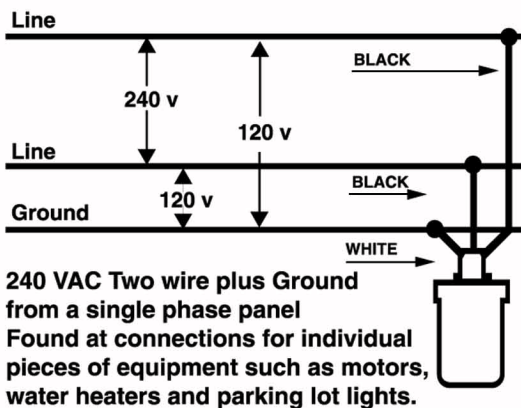
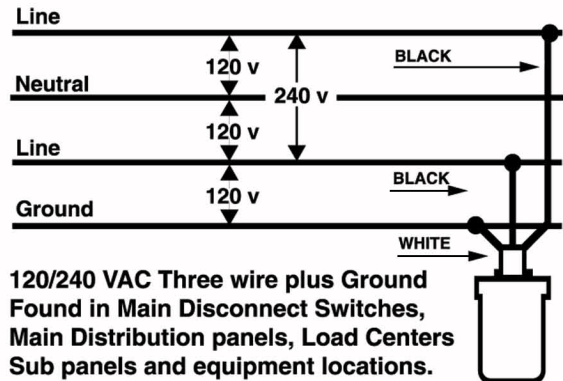
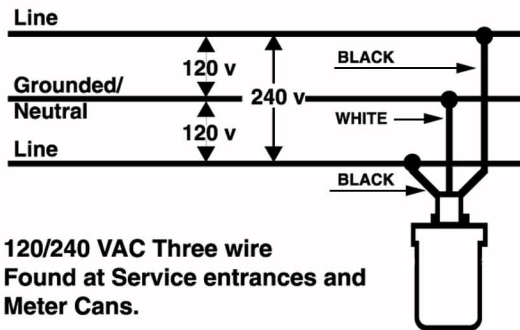
Intermatic Incorporated recommends that the AG series Secondary Surge Arresters be installed by a licensed electrician. Hazardous voltages may be present. AG series units are not intended to protect against direct lightning strikes.

MAINTENANCE:

Inspect every 3 months for cracks in the housing or black soot coming out of nipple end. If either is observed, unit is no longer providing surge protection and should be replaced.

APPLICATION

This model is designed specifically for 120 VAC or 120 / 240 VAC single phase or split phase applications. If your application does not match one of the diagrams shown below, consult the information on the back of this sheet or call your supplier.



INTERMATIC INCORPORATED

PLAZA, SPRING GROVE, ILLINOIS 60081-9698

© Copyright 2002 Intermatic Inc.